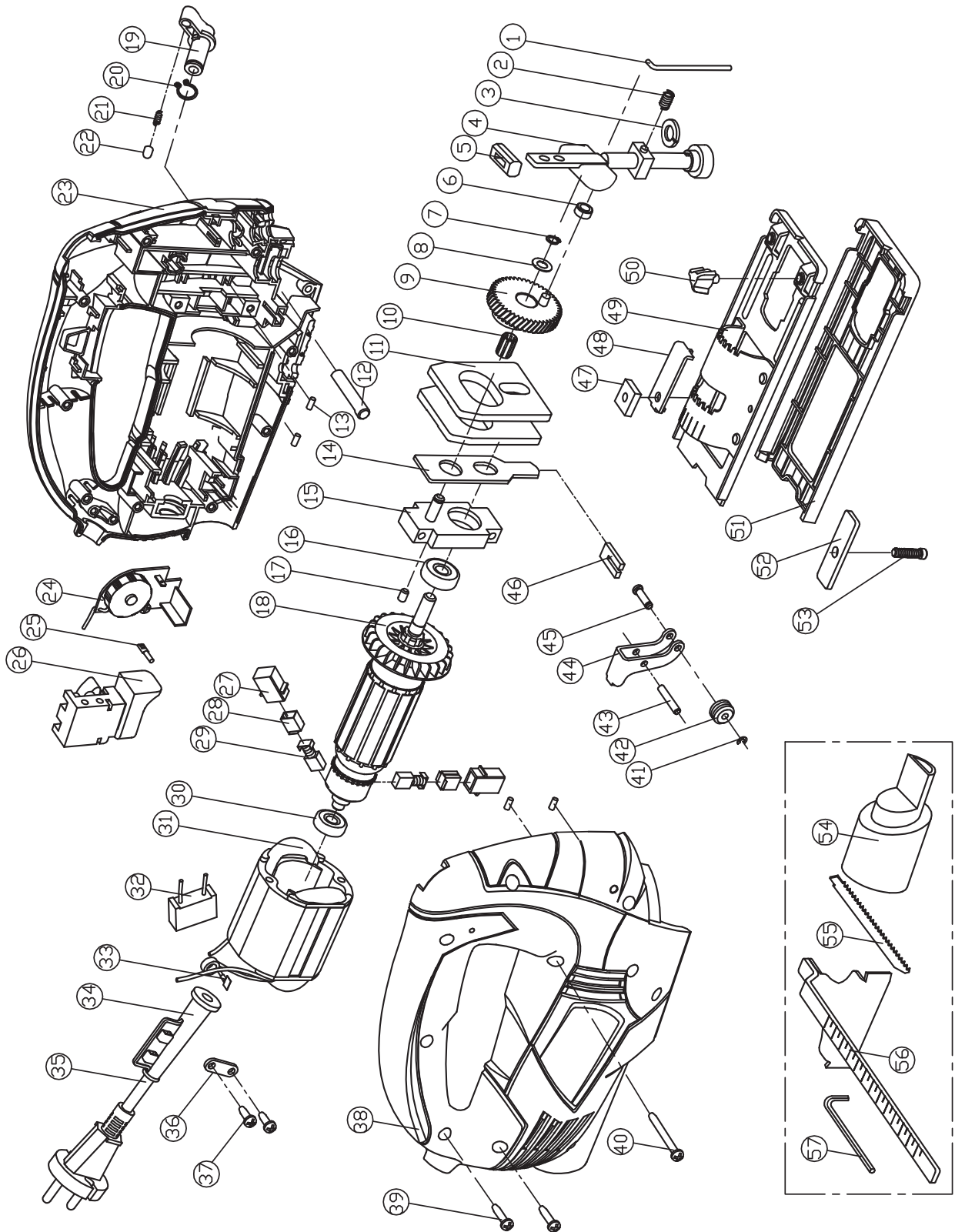


Exploded view BPS-500-P



Spare parts list BPS-500-P

No.	Part Name	No.	Part Name
2	Spring	21	Spring
3	Sucker Seal	22	Lock pin
4	Reciprocating Rod	23	Left housing
5	Upper sliding path	24	Control Speed Board
6	Roller Block	26	Switch
7	Circlip	27	Brush holder assy
8	Washer	28	Brush copper sleeve
9	Gear	29	Set of brushes
10	Needle bearing	30	Bearing
11	Balance block	31	Stator
12	Adjustable shaft	34	Cable sleeve
13	Pin	38	Right housing
14	Pendulum support	41	Circlip
15	Center Support	42	Guide wheel
16	Bearing	43	Guiding whell axis
18	Rotor	44	Pendulm rack
19	Pendulum knob	45	Guiding Wheel Axis
20	Checking Ring	46	Anti-dust Block