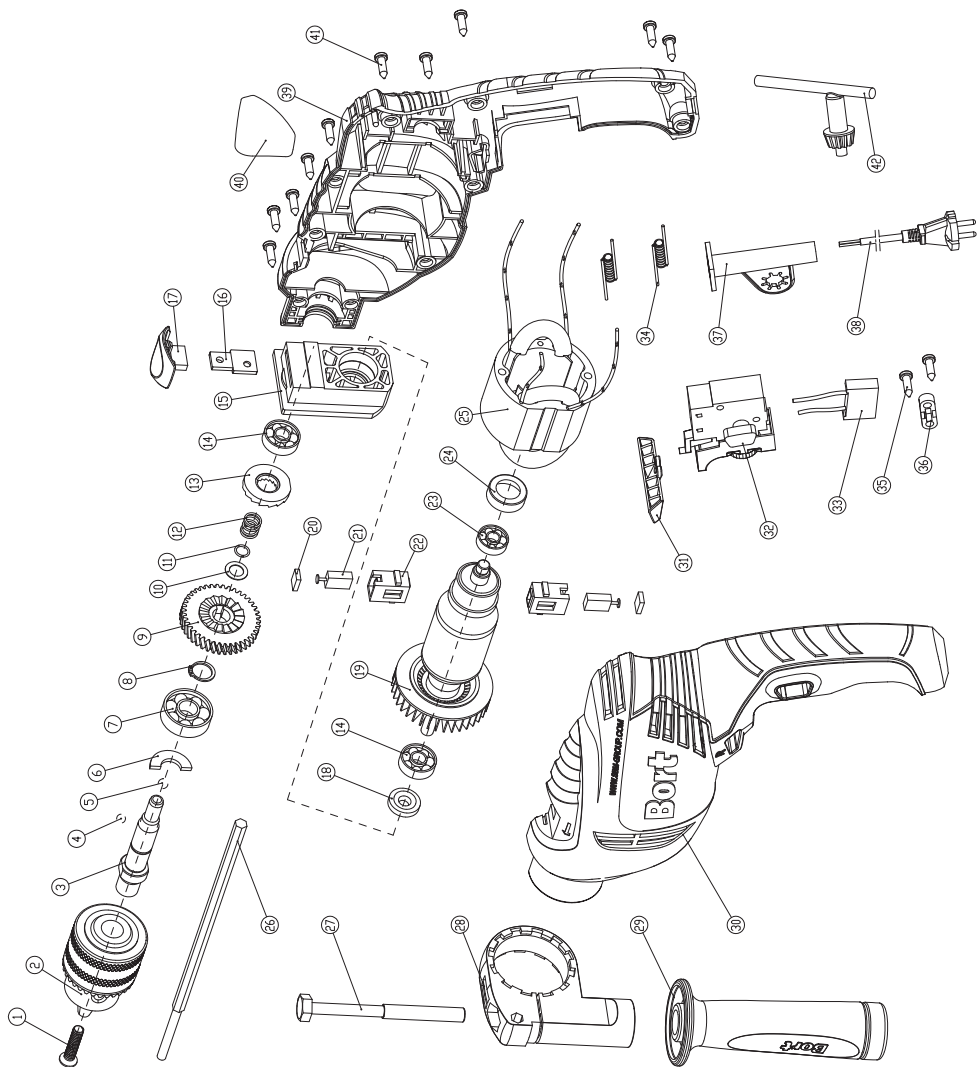


# Exploded view



---

Parts List

<b>No.</b>	<b>Part name</b>	<b>No.</b>	<b>Part name</b>
1	Screw for chuck	22	Brush holder cover
2	Drill Chuck	23	Bearing 607-2Z
3	Output shaft	24	Bearing sheath
4	Steell ball Ø4	25	Stator
5	Steell ball Ø5.5	26	Staff guage
6	Wool loop	27	Bolt M8x90
7	Bearing 6001-2Z	28	Handle support
8	Retaining ring	29	Handle
9	Gear	30	Left housing
10	Washer	31	L/R button
11	Circlip	32	Switch
12	Spring	33	Capacitor
13	Impact block	34	Inductance
14	Bearing 608-2Z	35	Screw ST4.2x14
15	Segregation	36	Cable restraint
16	Change plate	37	Cable sleeve
17	Impact button	38	Cable
18	Sealing washer	39	Right housing
19	Rotor	40	Name plate
20	Brush holder	41	Screw ST4.2x16
21	Carbon Brush	42	Key for chuck

---