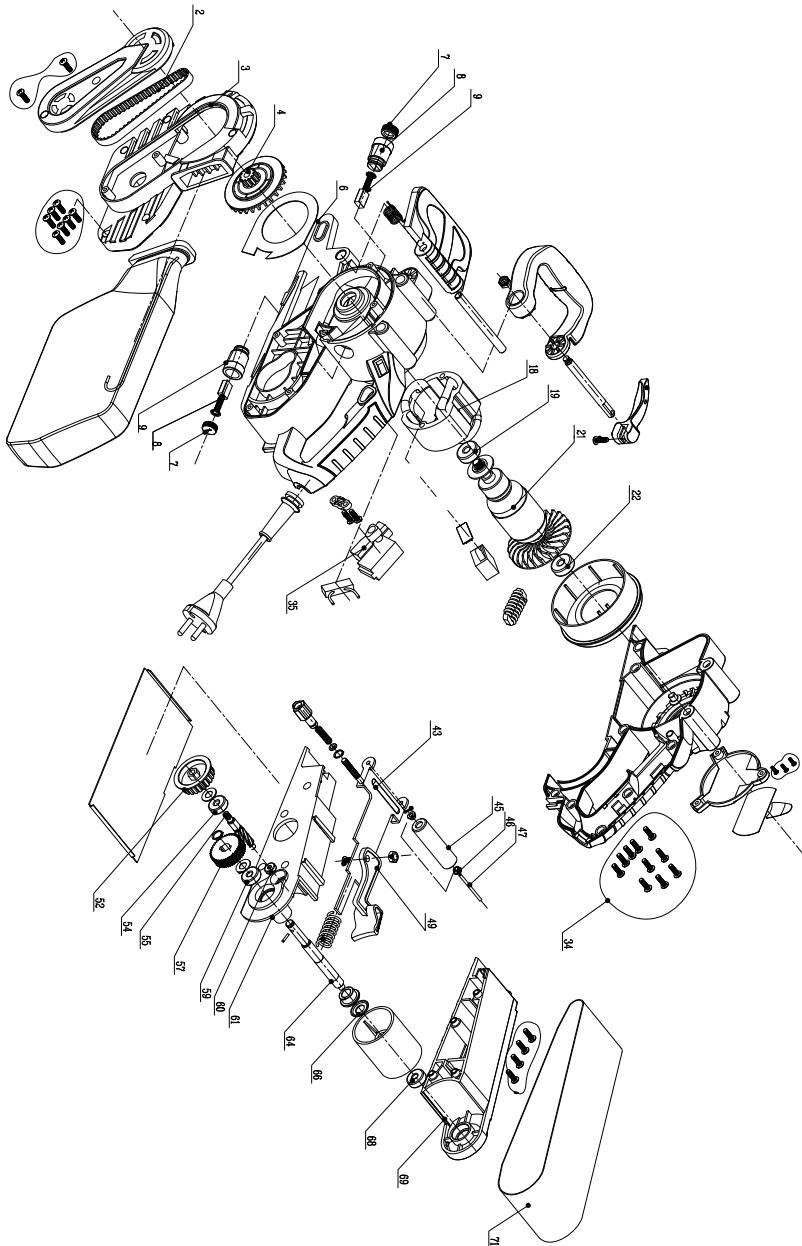


# Exploded view BBS-1010N



---

## Spare parts list BBS-1010N

### No. Part Name

②	Synchronous belt	④7	Frame axis
③	Middle cover	④9	Front wheel frame wrench
④	Small pulley	⑤2	Large pulley
⑥	Left housing	⑤4	Ball bearing 608RS
⑦	Brush cover grip	⑤5	Small gear shaft
⑧	Brush holder	⑤7	Big gear
⑨	Brush	⑤9	Ball bearing 608RS
⑱	Stator	⑥0	Ball bearing 626
⑱	Ball bearing 608RS	⑥1	Alluminum base
⑳	Rotor	⑥4	Rear axle
㉒	Ball bearing 608RS	⑥5	Copper sets
㉓	Switch	⑥7	Rear
④3	Front wheel frame	⑥8	Ball bearing
④5	Front wheel	⑥9	Plastic stent
④6	Needle bearing		

---