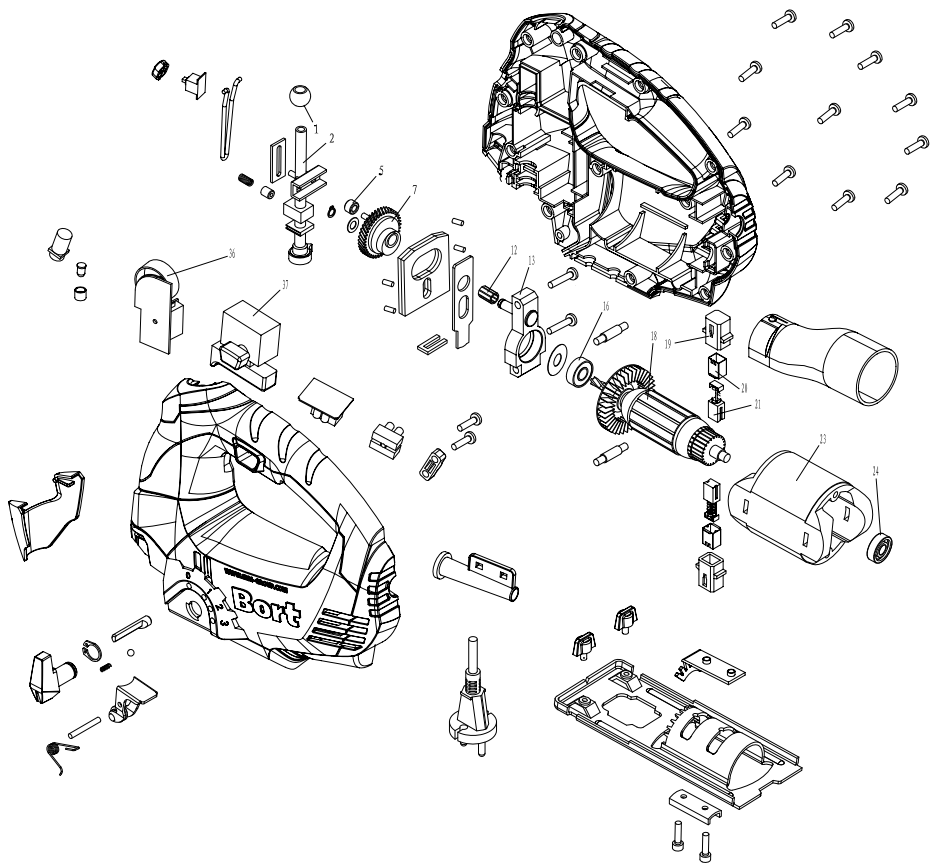


---

# Exploded view BPS-710U-QL



---

## Spare parts list BPS-710U-QL

### No. Part Name

- ① Upper sliding path
  - ② Reciprocating rod assembly
  - ⑤ Rolling sliding block
  - ⑦ Eccentric big gear
  - ⑫ Needle roller sleeve
  - ⑬ Central support
  - ⑯ Bearing
  - ⑱ Armature assembly
  - ⑲ Brush holder
  - ⑳ Brush copper sleeve
  - ㉑ Brush assembly
  - ㉓ Stator assembly
  - ㉔ Bearing
  - ㉖ Variable speed board
  - ㉗ Switch
-