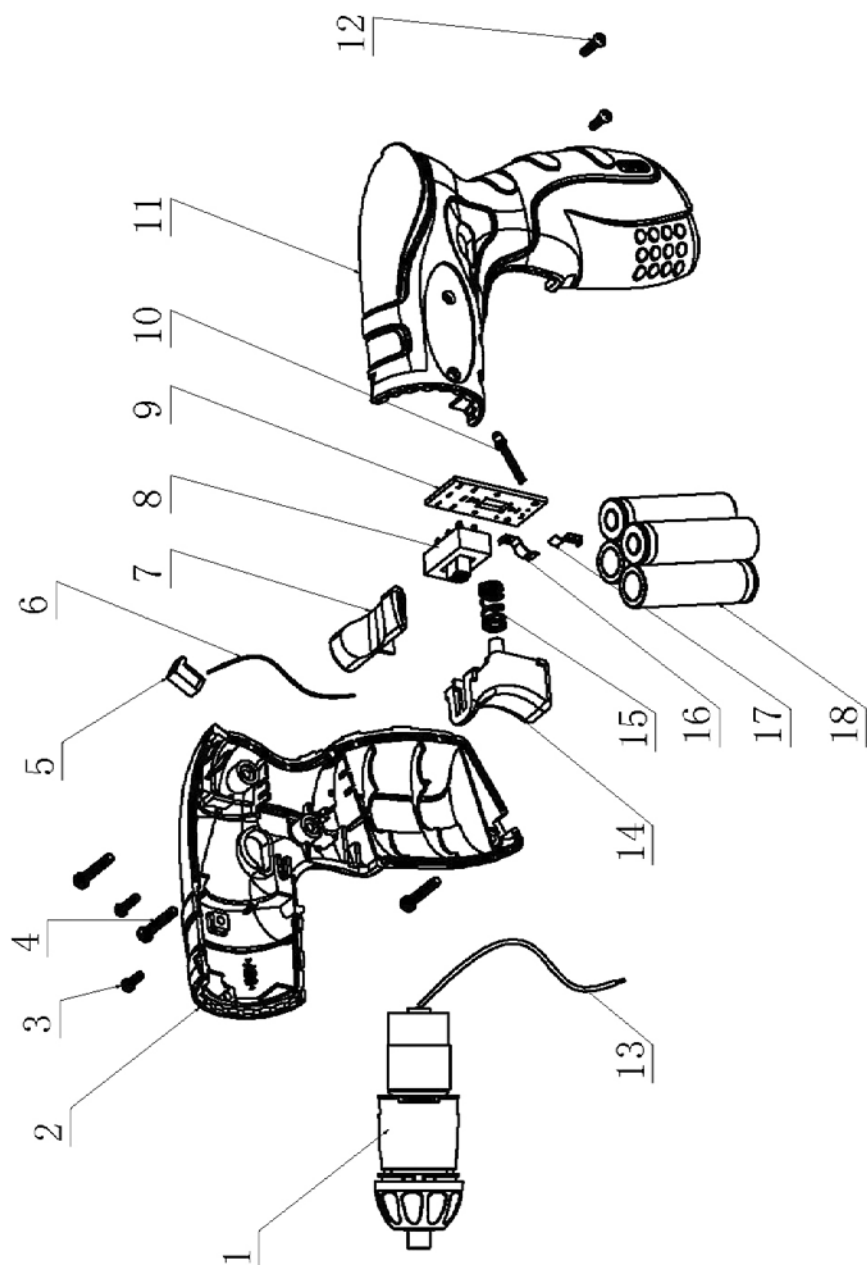


Exploded view BAS-48N-Lt



BAS-48N-Lt

No. Part Name

- ① Gear box
 - ② Left body
 - ③ Screw
 - ④ Screw
 - ⑤ DC socket
 - ⑥ Electronic wire
 - ⑦ Reversible switch
 - ⑧ Switch
 - ⑨ PCB
 - ⑩ LBD
 - ⑪ Right house body
 - ⑫ Screw
 - ⑬ Electronic wire
 - ⑭ Switch button
 - ⑮ Switch spring
 - ⑯ Positive pole
 - ⑰ Cathode
 - ⑱ Battery
-