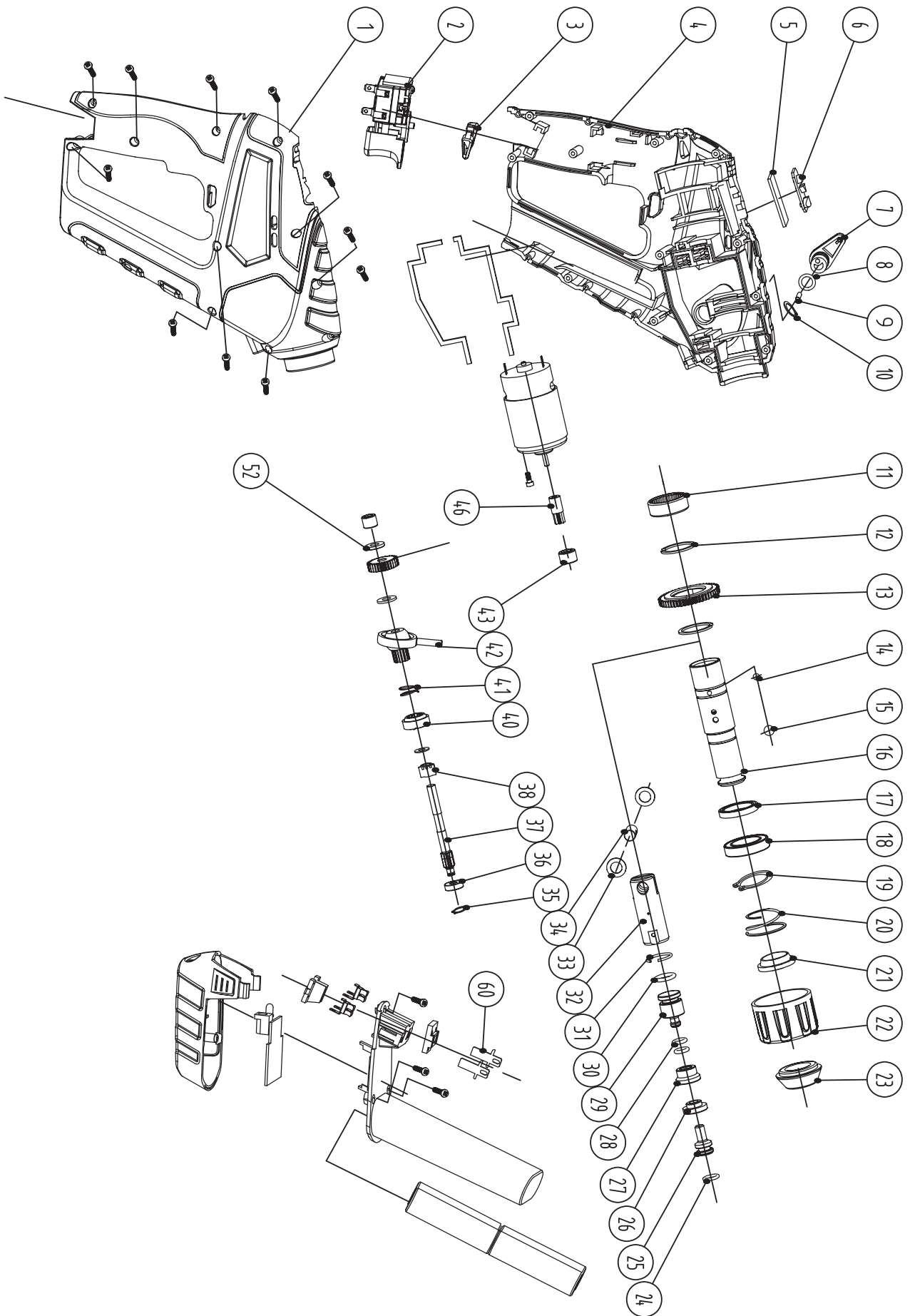


Exploded view



Parts List

No.	Part name
1	Right housing
2	switch
3	reverse switch
4	Left housing
5	Power indicator
6	Transparent plate
7	Function knob
8	rubber band
9	Function dowel
10	snap spring
11	Bearing HK2210
12	Big gear snap ring
13	Big gear
14	steel ball (3)
15	steel ball (7.15)
16	cylinder
17	sealing ring
18	Bearing (6804Z)
19	snap spring 19
20	lock spring
21	locking collar
22	Top cover
23	Rubber lock
24	rubber band
25	Impact part
26	Impact inner bushing
27	Impact out bushing
28	rubber band
29	hammer head
30	rubber band
31	Bead ring
32	piston
33	Gasket
34	dowel pin
35	snap spring 5
36	Bearing 695
37	shaft
38	Shaft out bushing
40	Shaft out bushing
41	spring
42	bearing
43	Bearing HK0808
46	Motor gear
52	Bearing HK0614
60	Battery connecting sheet