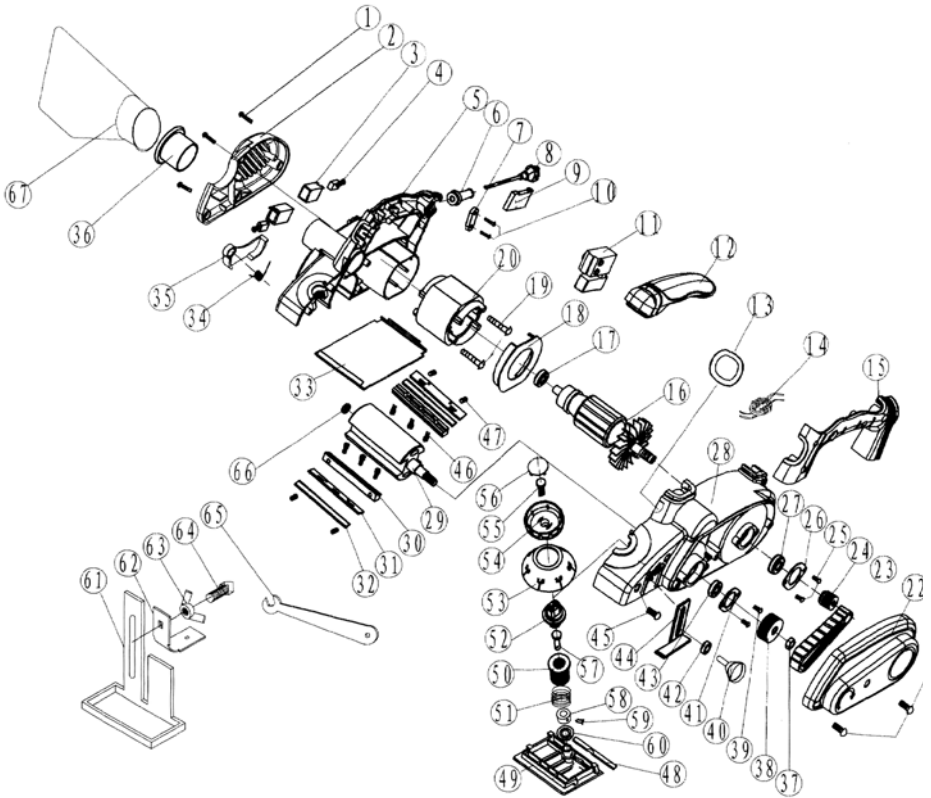


---

Exploded view



---

## Parts List

<b>No.</b>	<b>Part name</b>	<b>No.</b>	<b>Part name</b>
1	Screw ST4.2x14	36	Dust control
2	Right cover	37	Nut M8
3	Carbon brush holder	38	Big belt wheel
4	Carbon brush	39	Screw ST4.2X10
5	Right housing	40	Adjusting knob
6	Cable cover	41	Bearing cover
7	Cable pressure board	42	Alu sleeve
8	Cable	43	Bearing 6000
9	Capacitor	44	Depth ruler
10	Screw ST4.2x14	45	Screw ST4.2x16
11	Switch	46	Screw M5x10
12	Hand stem cover	47	Screw M5x8
13	Name plate cover	48	Foam backing
14	Inductance	49	Front bottom plate
15	Left hand stem	50	Plastic screw
16	Rotor	51	Spring
17	Bearing 626RS	52	Plastic key
18	Guide wind circle	53	Carve degree pan
19	Screw ST4.2x55	54	Front handle
20	Stator	55	Screw ST4.2x14
21	Screw St4.2x12	56	Handle cover
22	Left cover	57	Revolving melt
23	Belt	58	Plastic cover
24	Small belt wheel	59	Column melt $\phi$ 2.1x15
25	Screw ST4.2x10	60	Washer
26	Bearing cover	61	Washer
27	Bearing 608	62	Edge fence
28	Left housing	63	Nut M8
29	Knife-axis	64	Screw
30	Carriage	65	Wrench
31	Splint	66	Bearing v626
32	Blade	67	Dust bag
33	Bottom plate		
34	Pressure spring		
35	Safe cover		