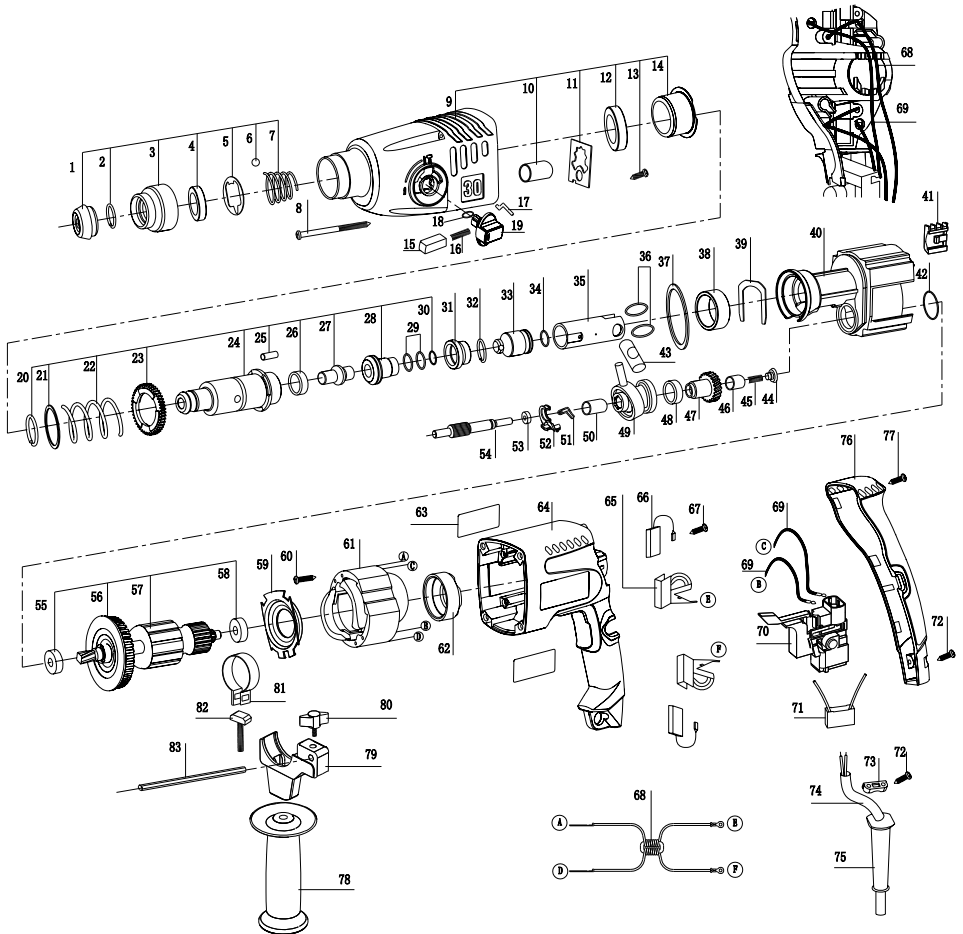


# Exploded view



---

## Parts List

No.	Item	No.	Item
1	PROTECTIVE CAP	43	PISTON PIN
2	RETAINER 19x2	44	BUSHING ASSY
3	PROTECTION SLEEVE	45	SPRING
4	THRUST RING	46	NEEDLE BEARING HK0908
5	HOLDING PLATE	47	CYLINDRICAL GEAR
6	BALL (C7.14)	48	NEEDLE BEARING (K15)
7	SPRING	49	DRIVE END SHIELD
8	SCREW (ST4.8x78)	50	NEEDLE BUSHING HK0709
9	GEAR HOUSING	51	SPRING CLIP
10	NEEDLE BUSHING HK0709	52	SHIFT FORK
11	LOCKING PLATE	53	BALL BEARING (699)
12	OIL SEAL (24x35x7)	54	TOOTHED SHAFT
13	SCREW	55	BALL BEARING (609-2RS)
14	NEEDLE-ROLLER BEARING	56	FAN
15	RED BUTTON	57	ARMATURE
16	SPRING	58	BALL BEARING (607-2RS)
17	DRIVER PIN	59	AIR DEFLECTOR RING
18	O-RING (11x2.5)	60	SCREW (ST3.9x10)
19	SELECTOR KNOB	61	FIELD
20	RETAINER (29x2.5)	62	RUBBER BEARING SLEEVE
21	SUPPORTING DISC	63	NAME PLATE
22	COMPRESSION SPRING	64	MOTOR HOUSING
23	CYLINDRICAL GEAR	65	BRUSH HOLDER
24	RATCHET SLEEVE/SDS-PLUS	66	CARBON BRUSH
25	PIN	67	SCREW (ST2.9x8)
26	SCRAPOR	68	INDUCTOR
27	IMPACT BOLT	69	CONNECTING CABLE
28	GUIDE BUSHING	70	SWITCH
29	O-RING(18x3.5)	71	CAPACITOR
30	O-RING(10.8x3.6)	72	SCREW (ST3. 9x16)
31	DAMPING BUSHING	73	CORD CLAMP
32	RETAINER(27.5x1.5)	74	CORD
33	STRIKER	75	GROMMET
34	O-RING(15x3)	76	HOUSING COVER
35	PISTON	77	SCREW (ST3.9x19)
36	SHIM RING	78	AUXILIARY HANDLE
37	SEAL RING	79	CLAMP HOLDER
38	BUSHING	80	BOLT BUTTON
39	HIDDING FORK	81	CLAMPING BAND
40	INTERMEDIATE FLANGE	82	T-BOLT
41	PROTECTIVE COVER	83	DEPTH GAUGE
42	O-RING		