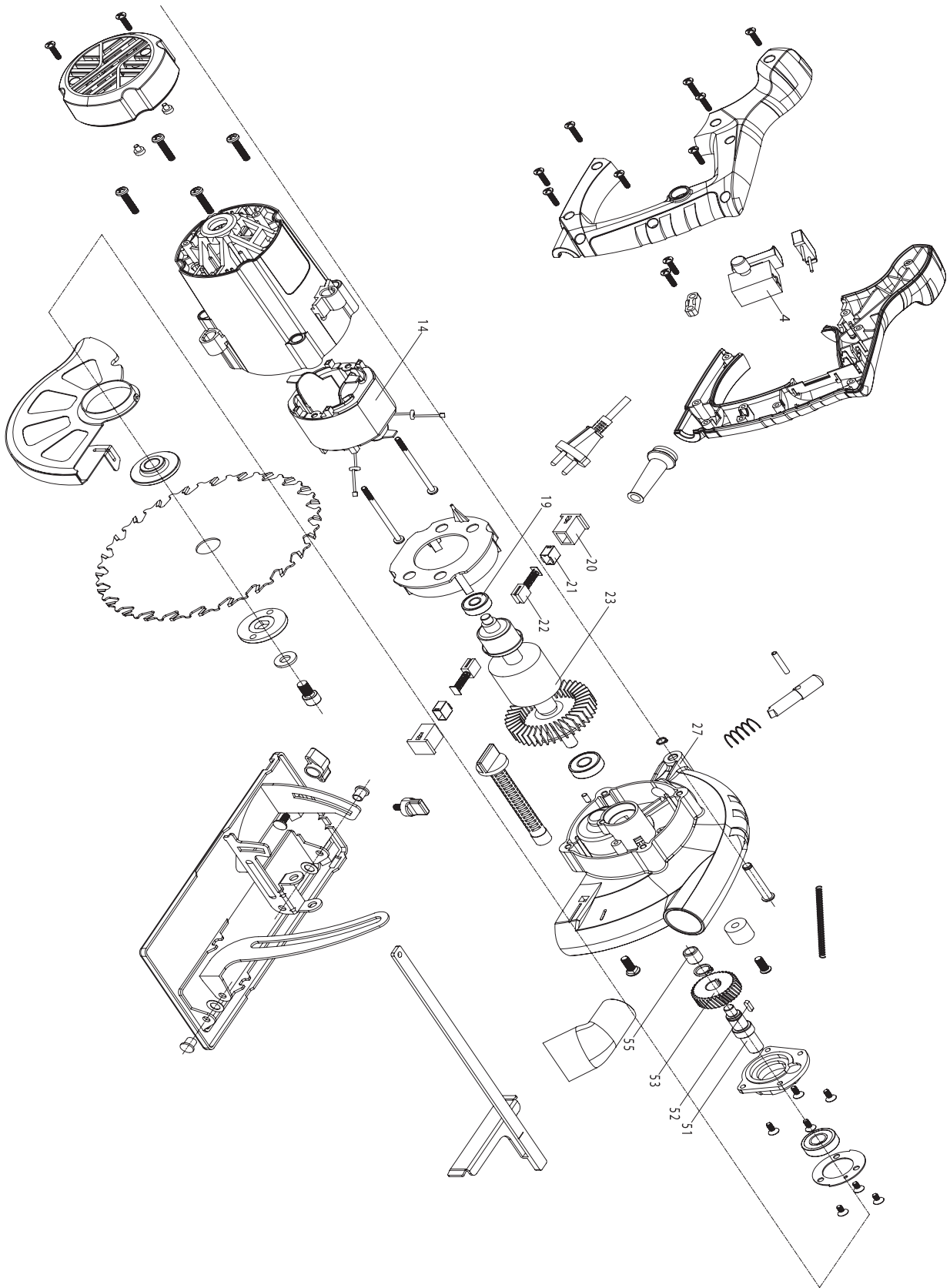


Exploded view HCS-160N



Spare parts list HCS-160N

No.	Part Name
④	Switch
⑭	Stator
⑲	Ball bearing 608zz
⑳	Brush supporter
㉑	Brush supporter copper bush
㉒	Electric brush component
㉓	Armature component
㉗	Aluminum case head
⑤①	Bearing block
⑤②	Output shaft
⑤③	Parallel key
⑤④	Gear
⑤⑤	Oil bearing