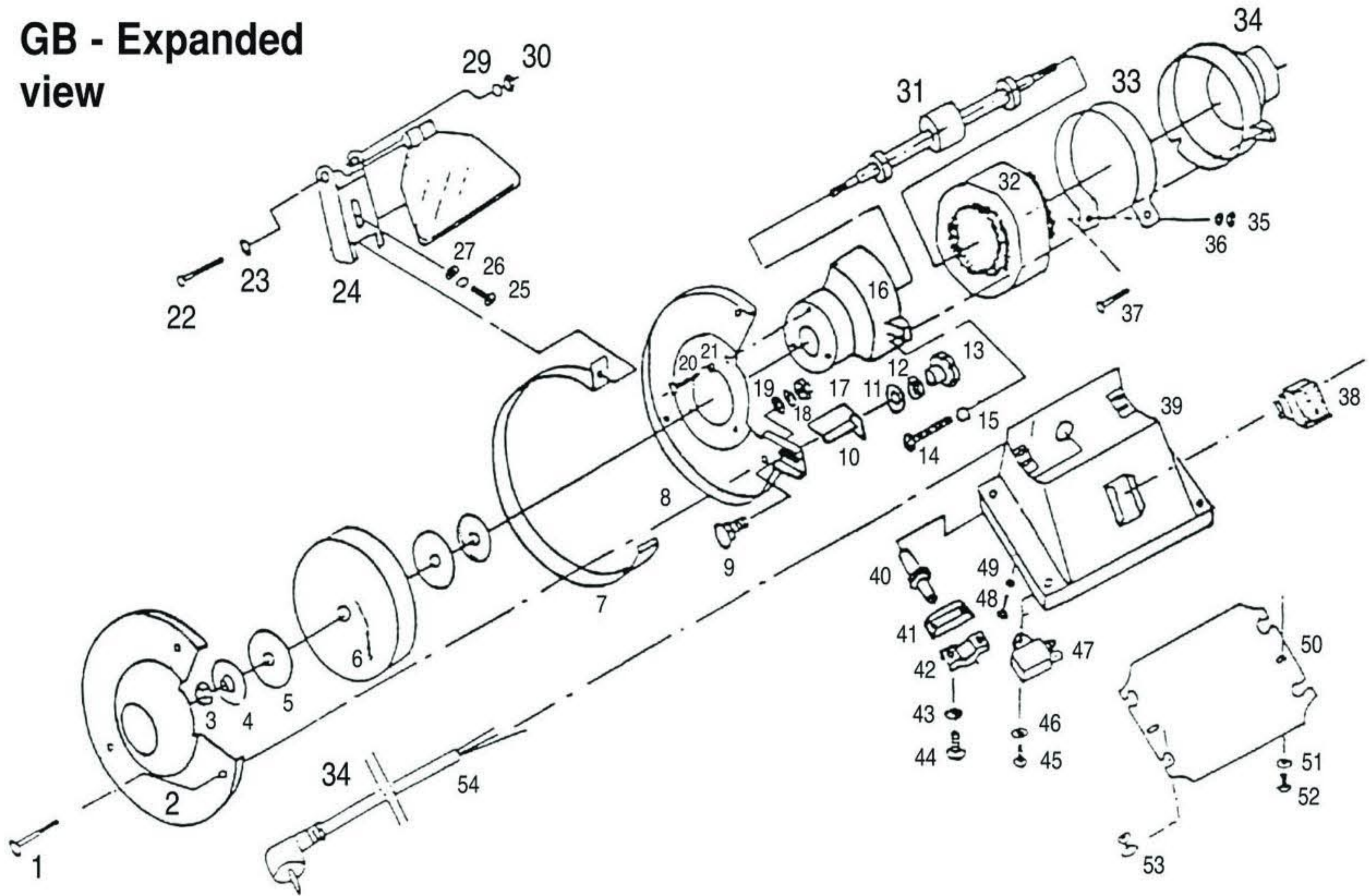


GB - Expanded view



- | | |
|--------------------------|-------------------------|
| 1 - Screw | 28 - Shield |
| 2 - External housing | 29 - Lock washer |
| 3 - Nut | 30 - Nut |
| 4 - Tightening flange | 31 - Stator |
| 5 - Grinding wheel label | 32 - Inductor |
| 6 - Grinding wheel | 33 - Motor clamp |
| 7 - Peripheral housing | 34 - Right motor unit |
| 8 - Inner housing | 35 - Nut |
| 9 - Square head screw | 36 - Lock washer |
| 10 - Tool support | 37 - Screw |
| 11 - Washer | 38 - Switch |
| 12 - Lock washer | 39 - Mount |
| 13 - Button | 40 - Cable grommet |
| 14 - Button | 41 - Cable grip support |
| 15 - Lock washer | 42 - Cable grip |
| 16 - Left motor unit | 43 - Lock washer |
| 17 - Nut | 44 - Screw |
| 18 - Lock washer | 45 - Screw |
| 19 - Washer | 46 - Lock washer |
| 20 - Screw | 47 - Capacitor |
| 21 - Lock washer | 48 - Screw |
| 22 - Screw | 49 - Lock washer |
| 23 - Washer | 50 - Bottom plate |
| 24 - Spark arrester | 51 - Lock washer |
| 25 - Screw | 52 - Screw |
| 26 - Lock washer | 53 - Rubber pad |
| 27 - Washer | 54 - Power supply cable |