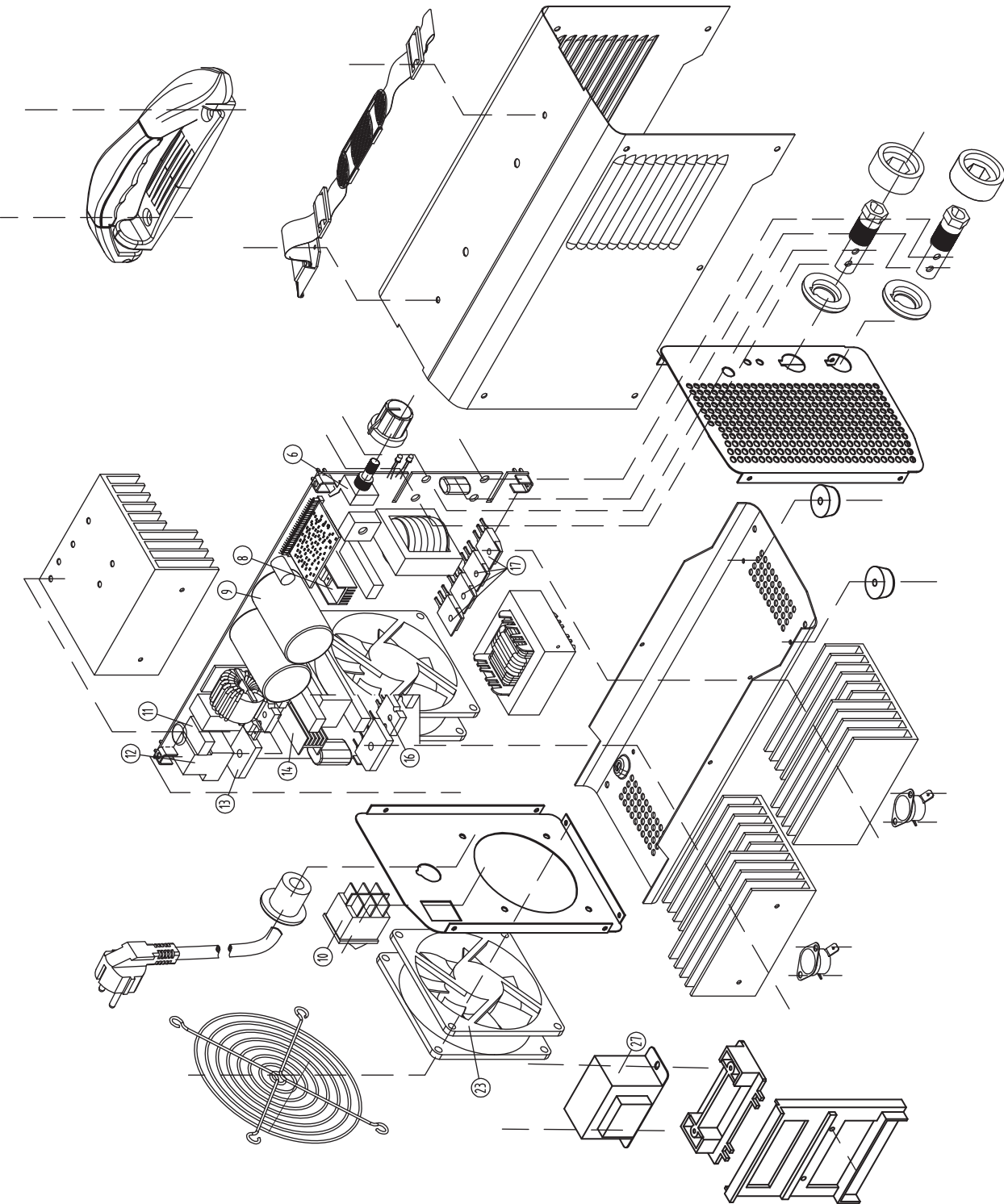


Exploded view DWI-200S



Exploded view DWI-200S

No.	Part Name
6	Potentiometer
8	Termal cutout
9	Capacitor
10	Switch
11	Output resistance
12	Relay
13	Bridge rectifier
14	Diod
16	IGBT
17	IGBT
23	Fan
27	Transformer