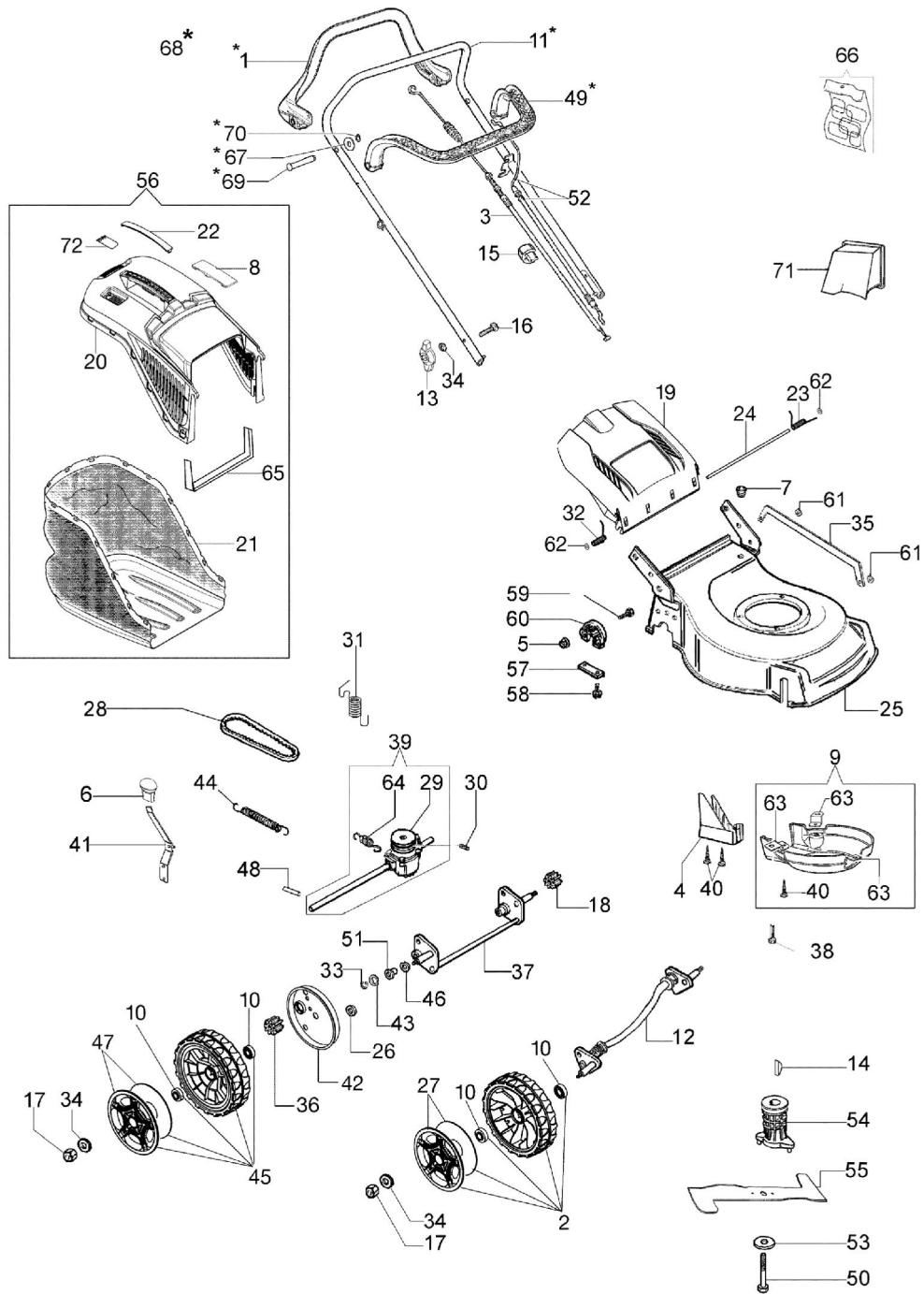


LR 48 TBQ COMFORT PLUS Lawnmowers - Illustrated parts list



LR 48 TBQ COMFORT PLUS Lawnmowers - Illustrated parts list



| Ref.Nu | Qty | Part number | Description | Validity from | Validity till | Notes | Bulletin |
|--------|-----|-------------|-------------------|---------------|---------------|-------|----------|
| 1 | 1 | 66060356AR | Traction lever | | | | |
| 2 | 2 | 66070624 | Wheel kit | | | | |
| 3 | 1 | 66060058CR | Tract.wire | | | | |
| 4 | 1 | 66110013R | Guard | | | | |
| 5 | 1 | 3914006R | Nut | | | | |
| 6 | 1 | 66110371R | Knob | | | | |
| 7 | 1 | 66030038 | Grommet | | | | |
| 8 | 1 | 66070466R | Lock | | | | |
| 9 | 1 | 66070233 | Compl. guard | | | | |
| 10 | 8 | 66030081R | Bearing | | | | |
| 11 | 1 | 66060421BR | Handle | | | | |
| 12 | 1 | 66070024B | Front axle | | | | |
| 13 | 2 | 66070317R | Tightening handle | | | | |
| 14 | 1 | 8202126R | Key | | | | |
| 15 | 2 | 66060231 | Band | | | | |
| 16 | 2 | 3910015R | Screw | | | | |
| 17 | 4 | 3933032R | Nut | | | | |
| 18 | 1 | 66030228 | Left sprocket | | | | |
| 19 | 1 | 66070518R | Cover | | | | |
| 20 | 1 | 66070453R | Frame | | | | |
| 21 | 1 | 66070455R | Grassbag | | | | |
| 22 | 1 | 66070522R | Cover | | | | |
| 23 | 1 | 66110493R | Spring | | | | |
| 24 | 1 | 66110026 | Deflector axle | | | | |
| 25 | 1 | 66110104R | Deck | | | | |
| 26 | 2 | 3916012 | Washer | | | | |
| 27 | 2 | 66070451R | Wheel cover | | | | |
| 28 | 1 | 66030037R | Belt | | | | |
| 29 | 1 | 66070450R | Pulley | | | | |
| 30 | 1 | 3803010 | Screw | | | | |
| 31 | 1 | 66070035AR | Spring | | | | |
| 32 | 1 | 66110494R | Spring | | | | |
| 33 | 1 | 3024012 | Ring | | | | |
| 34 | 7 | 3916008R | Washer | | | | |
| 35 | 2 | 66110012 | Rod | | | | |
| 36 | 1 | 66030227 | Right sprocket | | | | |
| 37 | 1 | 66070013B | Rear axle | | | | |
| 38 | 3 | 3806076 | Screw | | | | |
| 39 | 1 | 66070017DR | Transmission | | | | |
| 40 | 2 | 011200035R | Screw | | | | |
| 41 | 1 | 66070018 | Lever | | | | |
| 42 | 1 | 66070458R | Wheel cover | | | | |
| 43 | 1 | 66030044 | Whaser | | | | |
| 44 | 1 | 66070036R | Spring | | | | |

| Ref.Nu | Qty | Part number | Description | Validity from | Validity till | Notes | Bulletin |
|--------|-----|-------------|-----------------------|---------------|---------------|-------|----------|
| 45 | 2 | 66070625 | Wheel kit | | | | |
| 46 | 2 | 8202311 | Ring | | | | |
| 47 | 2 | 66070459R | Wheel cover | | | | |
| 48 | 1 | 66060010R | Pin | | | | |
| 49 | 1 | 66060316AR | Brake lever | | | | |
| 50 | 1 | 3906150R | Screw | | | | |
| 51 | 2 | 66060030R | Bushing | | | | |
| 52 | 1 | 66060108R | Engine break cable | | | | |
| 53 | 1 | 66060384R | Washer | | | | |
| 54 | 1 | 66030256R | Hub Ø22,2mm | | | | |
| 55 | 1 | 66110469R | Mulching blade | | | | |
| 56 | 1 | 66070631 | Grassbag kit | | | | |
| 57 | 2 | 66030039 | Plate | | | | |
| 58 | 4 | 3960031R | Screw | | | | |
| 59 | 6 | 3801022 | Screw | | | | |
| 60 | 2 | 66030049 | Support | | | | |
| 61 | 2 | 3045035R | Retainer washer | | | | |
| 62 | 2 | 3045034R | Retainer washer | | | | |
| 63 | 3 | 66070228R | Support | | | | |
| 64 | 1 | 66070099R | Spring | | | | |
| 65 | 1 | 66070133R | Support | | | | |
| 66 | 1 | 66070629 | Labels set | | | | |
| 67 | 2 | 3064037 | Washer | | | | |
| 68 | 1 | 66060425R | Handle kit | | | | |
| 69 | 2 | 66060381AR | Pin | | | | |
| 70 | 2 | 3024006 | Snap ring | | | | |
| 71 | 1 | 66110127R | Mulching cap | | | | |
| 72 | 1 | 66070521R | Shutter | | | | |