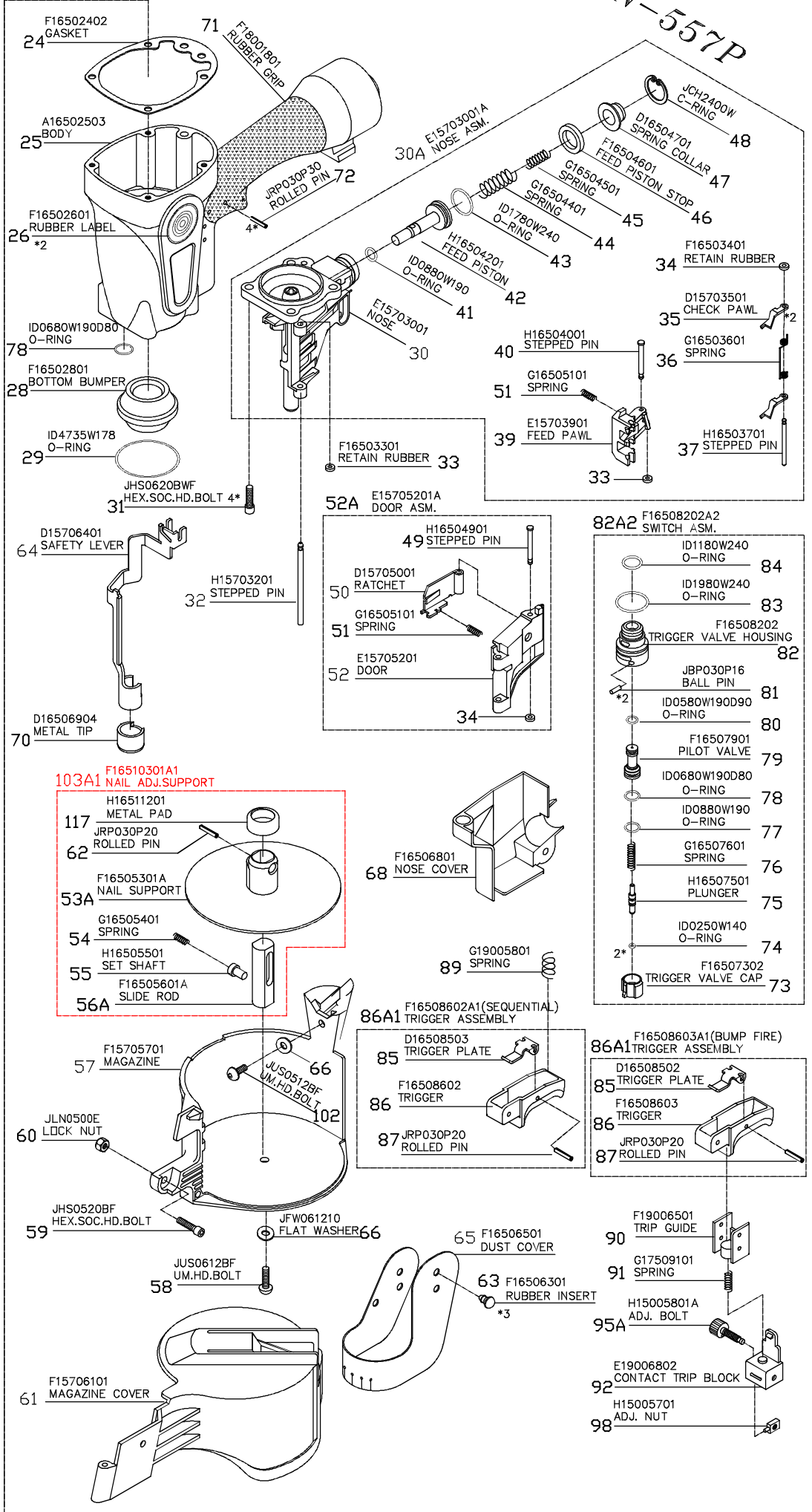
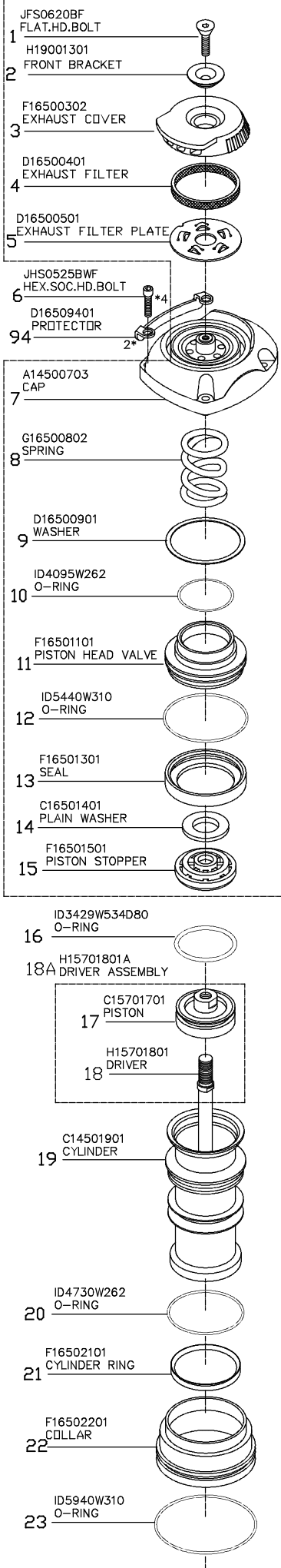
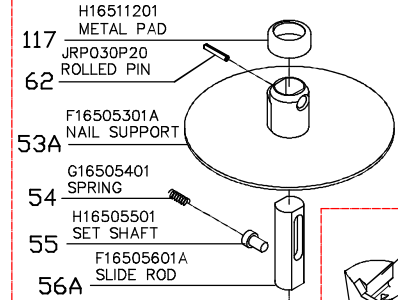


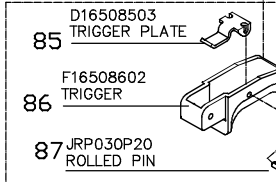
7A1 A14500703A1
CAP ASM.



F16510301A1
103A1 NAIL ADJ.SUPPORT



86A1 F16508602A1(SEQUENTIAL)
TRIGGER ASSEMBLY



86A1 F16508603A1(BUMP FIRE)
TRIGGER ASSEMBLY

